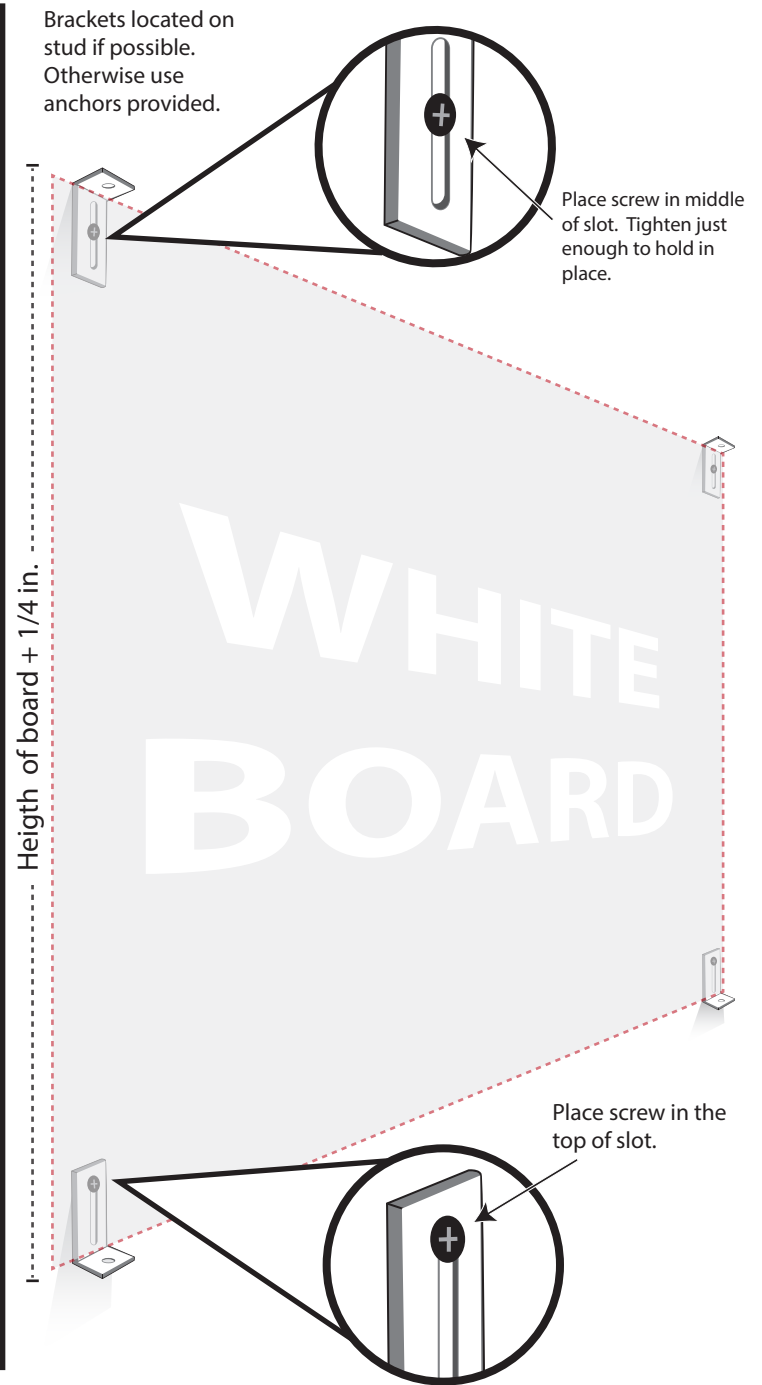
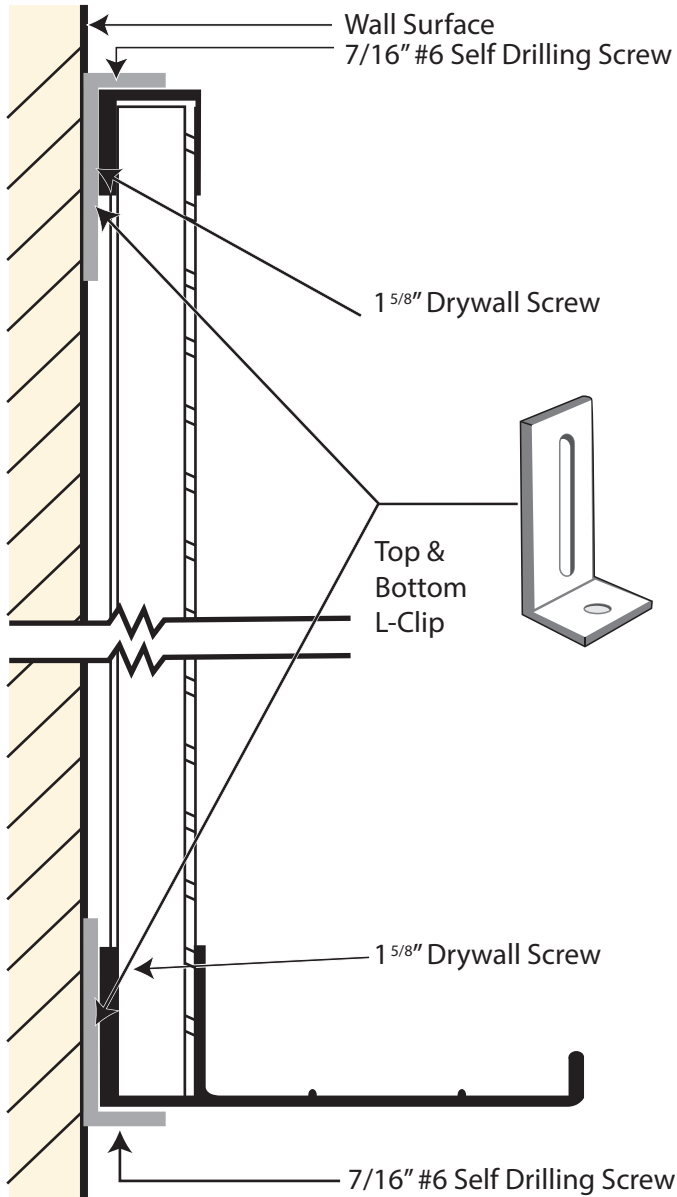


# MARKER BOARD HANGING DETAILS

## MARKER BOARDS STANDARD TRIM AND TRAY



**Packets include:** (quantities increase with board size)



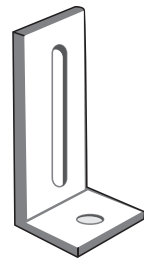
Wall Anchor



7/16" #6 Self Drilling Screw



1 5/8" Drywall Screw



L - Clip



## **BRACKET HANGER INSTALLATION**

The packet of installation hardware includes the following:

1. 4 - Steel angle brackets. The vertical leg has a slotted hole and the horizontal leg has a small hole for attaching to the frame of the markerboard.
2. 4 - Plastic anchors for inserting into the wall to receive the screw when not screwing into a stud
3. 4 - 1 5/8" long drywall screws
4. 4 - #6 x 3/8" self-drilling metal screws for attaching markerboard to the angle brackets.

**Note:** Erasable is not able to evaluate the pullout of the fastener, condition of the wall, or the quality of the installation. If possible, always install the drywall screws into wall studs. If drywall is not in good condition, it may be necessary to use toggle style fasteners, when unable to screw into a wall stud.

### **Installation:**

1. Using a level, draw a horizontal line on the wall at the height you would like the BOTTOM of the board. Make sure the line is not wider than the board so it doesn't show once the board is mounted.
2. Install the 2 angle brackets with the horizontal leg, or bottom of the bracket, on the horizontal line. Install the anchor and screw combination at the TOP of the slot, in the vertical leg of the bracket, and screw bracket tight against the wall. Try and space the brackets so that they are equidistant from the bottom corners of the board.
3. Measure straight up from the bottom brackets, the distance of the height of the board, and make a mark on the wall, at that distance, above the bottom brackets.
4. Install an opposing bracket with the vertical leg facing down. The horizontal leg should be 1/4" above the mark you made for the drywall screw, and should be located close to the middle of the slot. DO NOT tighten the screw too tight. It should be tight enough to hold the bracket against the wall 1/4" above your mark, but loose enough so that it can be tapped downward onto the top of the board framing.
5. Place the bottom edge of the markerboard on the bottom brackets and hold it against the wall. Using the self-drilling screws, screw through the bottom hole of the bottom brackets, into the framing.
6. Continuing to hold the board against the wall and tap the top brackets until they are resting on the top of the board. Run self-drilling screws through the top holes of the bracket, into the framing of the board.

The installation is complete. Check that the fasteners and anchors are secure by gently pulling on the board to make sure there is no movement away from the wall.

The diagrams and pictures on the reverse side of this page will help to illustrate the installation procedure.